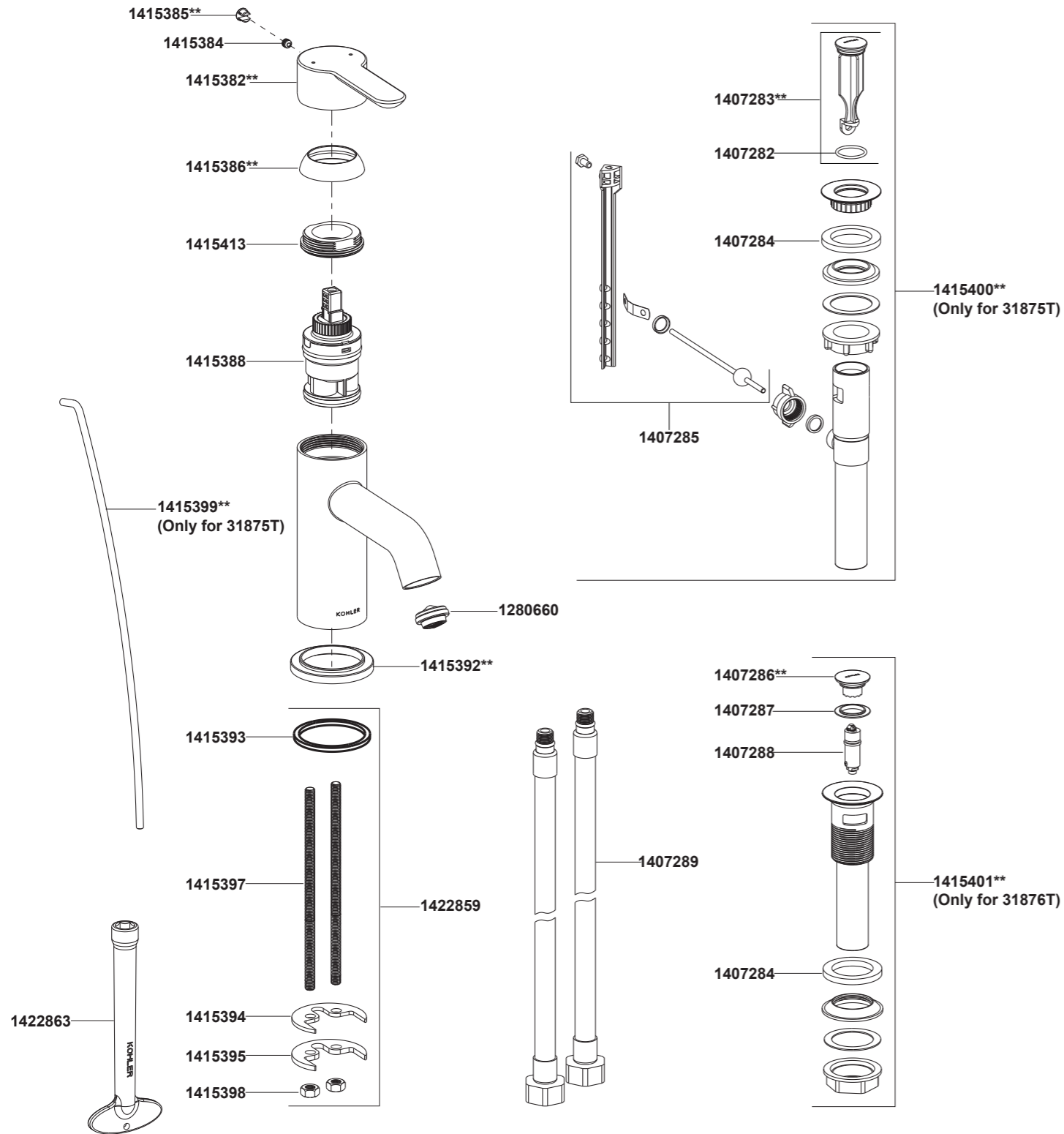


31875T-4 Single Handle Lavatory Faucet Streamline Handle (Pop Up) 6P
 31876T-4 Single Handle Lavatory Faucet Streamline Handle (Click) 6P



**Color code must be specified when ordering

31875T-4 Single Handle Lavatory Faucet Streamline Handle (Pop Up) 6P
 31876T-4 Single Handle Lavatory Faucet Streamline Handle (Click) 6P

BEFORE YOU BEGIN

All information is based on the latest product information available at the time of publication. Kohler Co. reserves the right to make changes in product characteristics, packaging, or availability at any time without notice.

Please leave these instructions for the consumer. They contain important information.

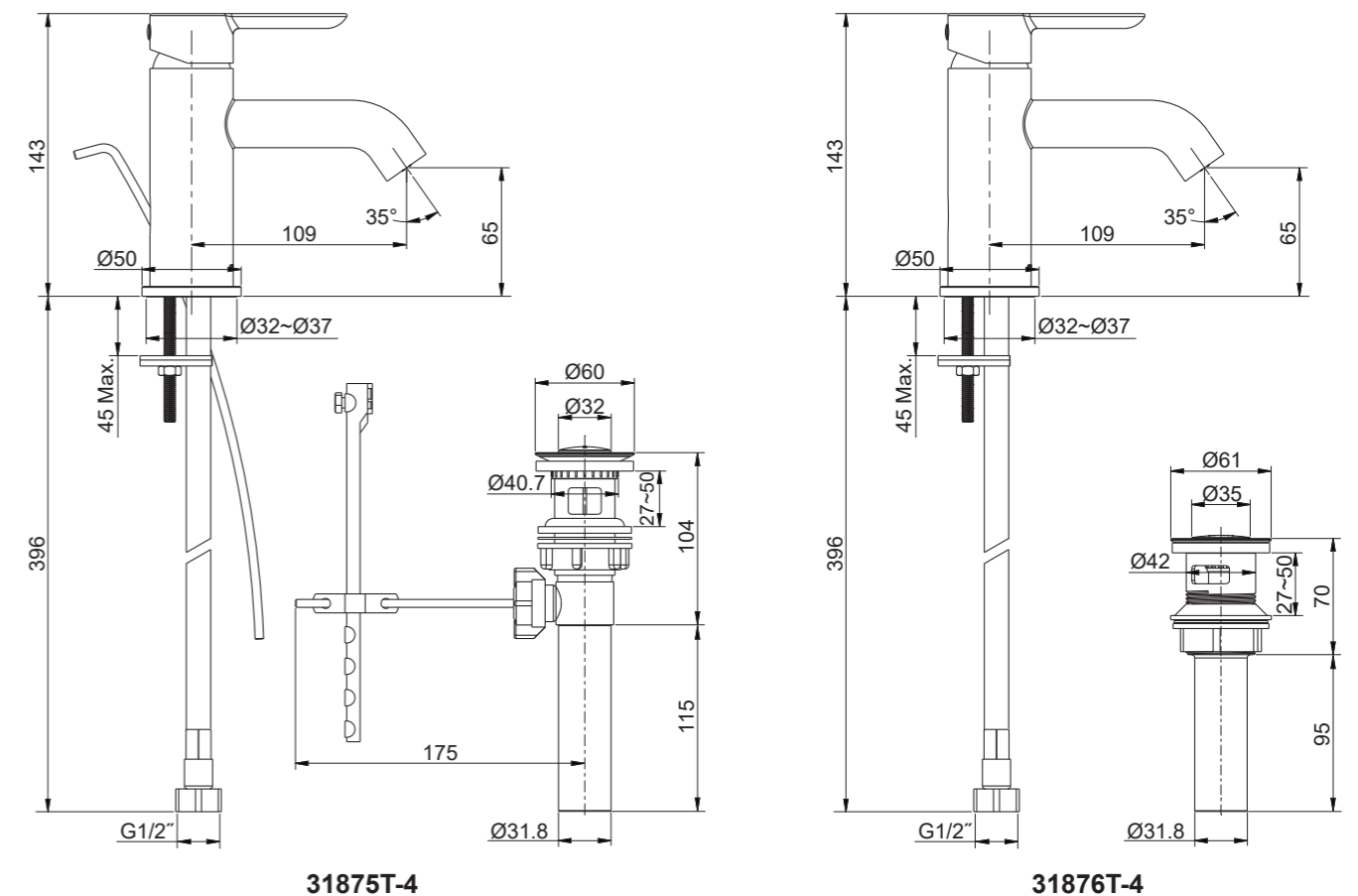
NOTES:

1. Flush the water supply pipes thoroughly to remove debris.
2. If possible, install this faucet before installing the lavatory.
3. Inspect the supply tubing for damage and leakage. Replace and maintain if necessary.
4. Observe local plumbing codes.
5. Shut off the water supplies to the fitting.

HANDLE OPERATION

Lift the handle gently. Turn clockwise for hot water, turn counter-clockwise for cold water.

ROUGH-IN DIMENSIONS



31875T-4

31876T-4

INSTALLATION

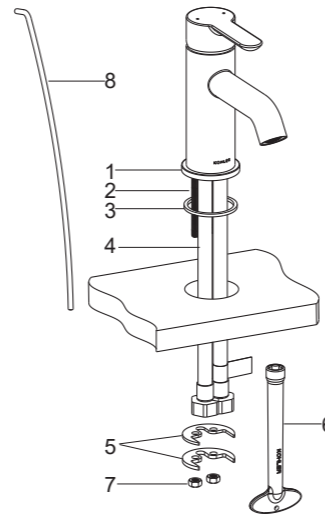
How to Install the Faucet

If needed to take off the hoses(4) to repair, reinstall and tighten them by hand. Install the base(1) into the faucet bottom. Install the mounting studs(2) into the faucet bottom. Slide the washer(3) over the flexible hoses(4) and mounting studs, and into the groove of the base.

Insert the faucet assembly into the lavatory hole, and make sure the base is against the deck. Position the faucet. From underside of the lavatory, place the washers(5, Rubber washer is on the top) onto the mounting studs, and tighten the nuts(7) with tool(6) to secure the faucet.

Insert the lift rod(8) to the hole at the rear of the faucet (Only for 31875T).

Attach the hoses to water supplies. When facing front of the faucet, the left hose should be connected to hot water, the right hose with label should be connected to cold water.



How to Install the Drain (Only for 31875T)

Remove the stopper(9), flange(11) and washer(12) from the drain body (15). Insert the drain body kit into the lavatory from underside, and make sure the drain lever hole(14) facing to the lavatory backside. Screw the flange with washer into the drain body. Tighten the locknut(13) by hand from the underside of the lavatory.

NOTE: If needed, apply a ring of plumbers putty or other sealants around the underside of the flange(11), instead of using washer(12).

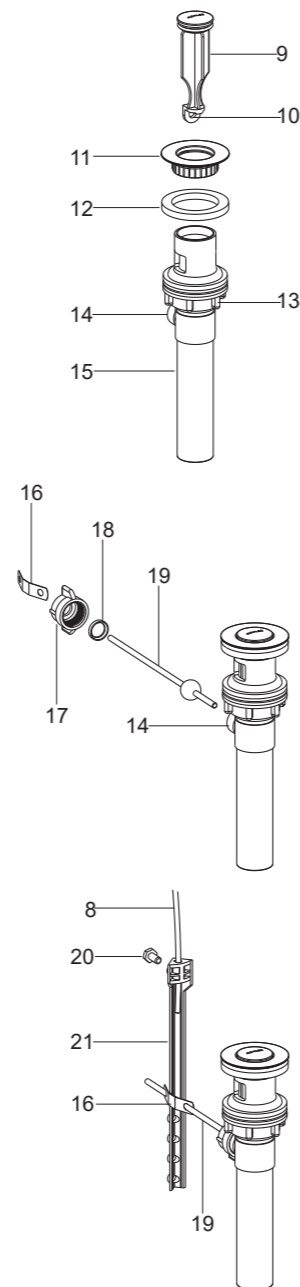
Place the stopper(9) into the drain body. Make sure that the flat side of stopper hole(10) align with the drain lever hole.

Remove the retaining nut(17). Fit the plastic washer(18) and retaining nut onto the ball lever(19). Insert the ball lever assembly into the drain lever hole(14) and through the stopper hole. Tighten the retaining nut.

Be sure that the ball lever(19) points to the lavatory backside, tighten the locknut(13) onto the drain body with wrench.

NOTE: Do not reposition the drain if plumbers putty or other sealants applied after the locknut is tightened, or you may break the putty seal. Wipe away excess plumbers putty.

Assemble the thumb screw(20) to the link(21), and link onto the ball lever (19) with V-clip(16). Slide the lift rod(8) into the hole of the link. Push the ball lever down into the open position, and adjust the lift rod. Tighten the thumb screw(20).



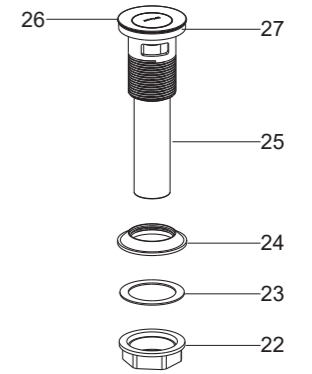
How to Install the Drain (Only for 31876T)

Remove the locknut(22), plastic washer(23) and rubber gasket(24) from the drain body(25).

Insert the drain body into the lavatory. Install the rubber gasket(Tapered side up), plastic washer and locknut back to the drain body in turn. Tighten the locknut.

NOTE: If needed, apply a ring of plumbers putty or other sealants around the underside of the flange(26), instead of using washer(27).

Do not reposition the drain if plumbers putty or other sealants applied after the locknut is tightened, or you may break the putty seal. Wipe away excess plumbers putty.

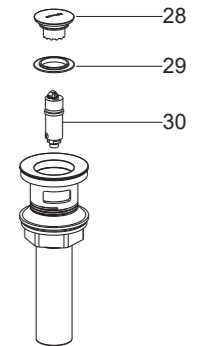


How to Replace the Washer and Piston Kit (Only for 31876T)

Turn counter-clockwise to remove the stopper(28). Take out the washer(29). Replace with a new one.

Turn counter-clockwise to remove the piston kit(30). Replace with a new one.

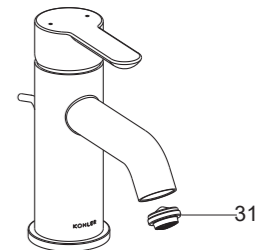
Reinstall the piston kit, washer and stopper.



INSTALLATION CHECKOUT

Ensure all connections are tight. Ensure the handle is in the off position. Turn on the drain and main water supply, and check for leaks. Repair as needed.

Remove the aerator(31) with coin. Turn on the faucet. Run hot and cold water through the spout for about one minute to remove any debris. Check for leaks. Remove any debris from the aerator. Shut off the faucet. Reinstall the aerator.



CLEANING INSTRUCTIONS

All Finishes: Clean the finish with mild soap and warm water. Wipe entire surface completely dry with clean soft cloth. Many cleaners may contain chemicals, such as ammonia, chlorine, toilet cleaner etc. which could adversely affect the finish and are not recommended for cleaning.

Do not use abrasive cleaners or solvents on Kohler faucets and fittings.